



## Technical data

<b>Electrical data</b>	Nominal voltage	AC 24 V
	Nominal voltage frequency	50/60 Hz
	Nominal voltage range	AC 19.2...28.8 V
	Power consumption in operation	1.5 W
	Power consumption for wire sizing	1.5 VA
	Connection supply / control	Cable 1 m, 3 x 0.75 mm <sup>2</sup>
	Parallel operation	No
<b>Functional data</b>	Torque motor	10 Nm
	Manual override	temporary and permanent gear train disengagement with rotary knob on the housing
	Running time motor	140 s / 90°
	Duty cycle value	75% (= active time 140 s / operating time 187 s)
	Sound power level, motor	40 dB(A)
	Position indication	Reversible scale plate
	Service life	Full cycles: 60'000
<b>Safety data</b>	Protection class IEC/EN	III, Safety Extra-Low Voltage (SELV)
	Degree of protection IEC/EN	IP40
	EMC	CE according to 2014/30/EU
	Type of action	Type 1
	Rated impulse voltage supply / control	0.8 kV
	Pollution degree	3
	Ambient humidity	Max. 95% RH, non-condensing
	Ambient temperature	0...50°C [32...122°F]
	Storage temperature	-30...80°C [-22...176°F]
	Servicing	maintenance-free
<b>Weight</b>	Weight	0.51 kg
<b>Housing colours</b>	Housing cover	orange
	Housing base	orange

Safety notes



- This device has been designed for use in stationary heating, ventilation and air-conditioning systems and must not be used outside the specified field of application, especially in aircraft or in any other airborne means of transport.
- The actuator is to be protected against moisture. It is not suitable for outdoor applications.
- Only authorised specialists may carry out installation. All applicable legal or institutional installation regulations must be complied during installation.
- The device does not contain any parts that can be replaced or repaired by the user.
- The device contains electrical and electronic components and must not be disposed of as household refuse. All locally valid regulations and requirements must be observed.

Product features

- Simple direct mounting** Simple direct mounting on the ball valve with only one screw. The mounting orientation in relation to the ball valve can be selected in 90° steps.
- Manual override** Manual override with lever possible. Temporary gear train disengagement by pushing the rotary knob. Permanent disengagement by pushing and simultaneous rotating the rotary knob clockwise 90°.
- High functional reliability** The actuator switches off automatically when the end stops are reached.

Accessories

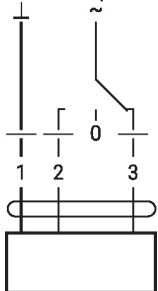
Electrical accessories	Description	Type
	Auxiliary switch 1 x SPDT for 3-point HT actuators with cable connection	SNR

Electrical installation



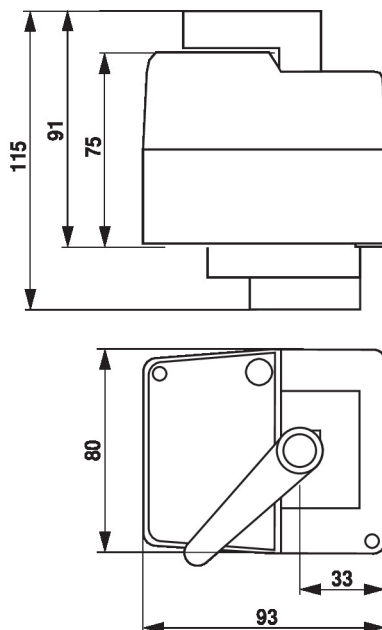
Supply from isolating transformer.

Wiring diagrams  
AC 24 V, 3-point



1	2	3	
			stop

## Dimensions



## Further documentation

- Data sheets for ball valves
- Installation instructions for actuators and/or ball valves
- General notes for project planning
- The complete product range for water applications