

**Globe valve, 2-way, Flange, PN 6**

- For closed cold and warm water systems
- For modulating control of air-handling and heating systems on the water side


**Type overview**

Type	DN	Kvs [m <sup>3</sup> /h]	Stroke	PN	n(gl)	Sv min.
H611R	15	0.63	15 mm	6	3	50
H612R	15	1	15 mm	6	3	50
H613R	15	1.6	15 mm	6	3	50
H614R	15	2.5	15 mm	6	3	50
H615R	15	4	15 mm	6	3	50
H620R	20	6.3	15 mm	6	3	100
H625R	25	10	15 mm	6	3	100
H632R	32	16	15 mm	6	3	100
H640R	40	25	15 mm	6	3	100
H650R	50	40	15 mm	6	3	100
H664R	65	58	18 mm	6	3	100
H679R	80	90	18 mm	6	3	100
H6100R	100	145	30 mm	6	3	100

**Technical data**

<b>Functional data</b>	Fluid	Cold and warm water, water with glycol up to max. 50% vol.
	Fluid temperature	-10...120°C [14...248°F]
	Fluid temperature note	At a fluid temperature of -10...2°C, a spindle heating is needed.
	Flow characteristic	equal percentage (VDI/VDE 2173), optimised in the opening range
	Leakage rate	max. 0.05% of the Kvs value
	Closing point	Top (▲)
	Pipe connection	Flange according to ISO 7005-2
	Installation orientation	upright to horizontal (in relation to the stem)
	Servicing	maintenance-free
	<b>Materials</b>	Valve body
Body finish		with protective paint
Closing element		Stainless steel
Spindle		Stainless steel
Spindle seal		EPDM O-ring
Seat		GG25 / Niro (Bypass)

Safety notes



- The valve has been designed for use in stationary heating, ventilation and air-conditioning systems and must not be used outside the specified field of application, especially in aircraft or in any other airborne means of transport.
- Only authorised specialists may carry out installation. All applicable legal or institutional installation regulations must be complied with during installation.
- The valve does not contain any parts that can be replaced or repaired by the user.
- The valve may not be disposed of as household refuse. All locally valid regulations and requirements must be observed.
- When determining the flow rate characteristic of controlled devices, the recognised directives must be observed.

Product features

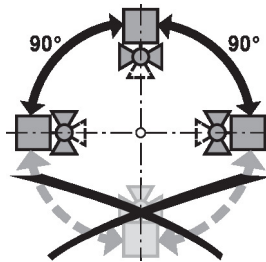
- Operating mode** The globe valve is adjusted by a globe valve actuator. The actuators are connected by a commercially available modulating or 3-point control system and move the valve cone, which acts as a throttling device, into the opening position dictated by the control signal.
- Flow characteristic** An equal percentage flow characteristic is produced by the profile of the valve cone.
- Fluid velocity** Standard values for low-noise operation in HVAC systems are medium velocities of 1...2 m/s. At fluid velocities above 2 m/s, further flow effects as well as cavitation can occur. This can reduce the service life of a valve depending on the situation.

Accessories

Electrical accessories	Description	Type
	Stem heater for LV.., NV.., SV.. actuator, AC/DC 24 V, 30 W	ZH24-1-A
	Stem heater DN 65...250 (60 W)	ZH24-1-B

Installation notes

- Permissible installation orientation** The globe valve may be mounted upright to horizontal. It is not permissible to mount the globe valves with the stem pointing downwards.

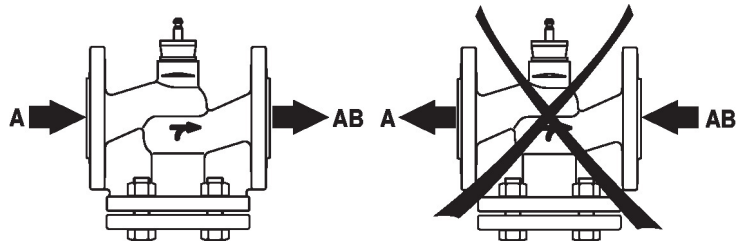


- Water quality requirements** The water quality requirements specified in VDI 2035 must be adhered to. Belimo valves are regulating devices. For the valves to function correctly in the long term, they must be kept free from particle debris (e.g. welding beads during installation work). The installation of a suitable strainer is recommended.

- Servicing** Globe valves and globe valve actuators are maintenance-free. Before any service work on the control element is carried out, it is essential to isolate the globe valve actuator from the power supply (by unplugging the electrical cables if necessary). Any pumps in the part of the piping system concerned must also be switched off and the appropriate slide valves closed (allow all components to cool down first if necessary and always reduce the system pressure to ambient pressure level). The system must not be returned to service until the globe valve and the globe valve actuator have been reassembled correctly in accordance with the instructions and the pipeline has been refilled by professionally trained personnel.

Installation notes

**Flow direction** The direction of flow, specified by an arrow on the housing, is to be complied with, since otherwise the valve could become damaged.



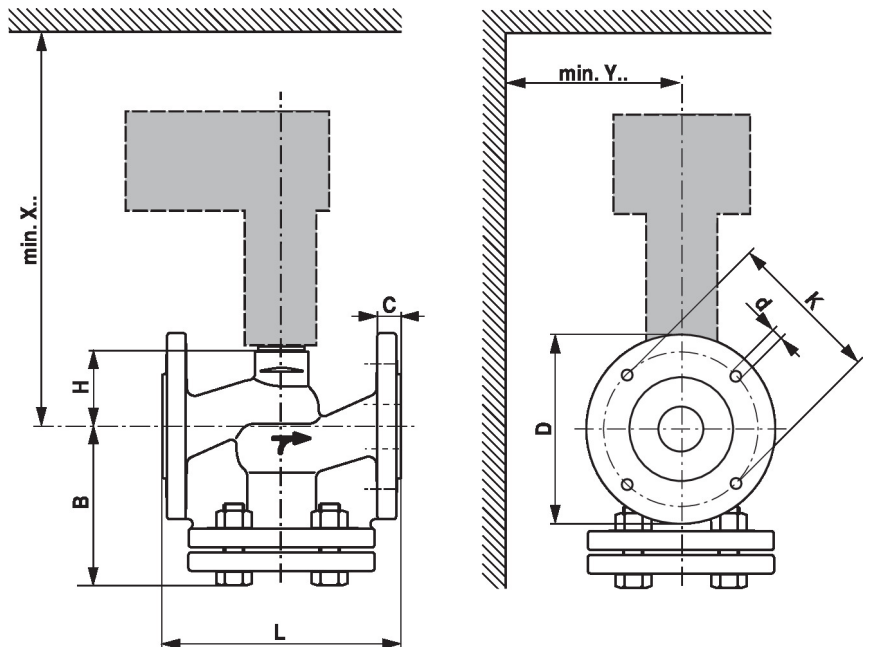
Differential and close-off pressure

The maximum differential and close-off pressure of globe valves depends on the mounted globe valve actuator. To ensure optimum operation and maximum service life, the maximum differential and close-off pressure in the table below must not be exceeded.

ps <600 kPa (PN6) t= 5... 120°C		LV..A.. 500N		NV..A.. 1000N		SV..A.. 1500N		AVK..A.. 2000N		EV..A.. 2500N		RV..A.. 4500N	
	DN	Δps [kPa]	Δpmax [kPa]	Δps [kPa]	Δpmax [kPa]	Δps [kPa]	Δpmax [kPa]	Δps [kPa]	Δpmax [kPa]	Δps [kPa]	Δpmax [kPa]	Δps [kPa]	Δpmax [kPa]
H611R ... 15R	15	600	400	600	400	600	400						
H620R	20	600	400	600	400	600	400						
H625R	25	500	400	600	400	600	400						
H632R	32	350	350	600	400	600	400						
H640R	40	150	150	500	400	600	400						
H650R	50	70	70	300	300	550	400						
H664R	65			140	140	280	280						
H679R	80			80	80	160	160						
H6100R	100							150	150	200	200	450	400

Dimensions


Dimensional drawings



X/Y: Minimum distance with respect to the valve centre.

The actuator dimensions can be found on the respective actuator data sheet.

**Dimensions**

Type	DN	L [mm]	B [mm]	H [mm]	C [mm]	D [mm]	d [mm]	K [mm]	X [mm]	Y [mm]	 kg
<b>H611R</b>	15	130	86	46	12	80	4 x 11	55	290	100	3.2
<b>H612R</b>	15	130	86	46	12	80	4 x 11	55	290	100	3.2
<b>H613R</b>	15	130	86	46	12	80	4 x 11	55	290	100	3.2
<b>H614R</b>	15	130	86	46	12	80	4 x 11	55	290	100	3.2
<b>H615R</b>	15	130	86	46	12	80	4 x 11	55	290	100	3.2
<b>H620R</b>	20	150	93	46	14	90	4 x 11	65	290	100	4.5
<b>H625R</b>	25	160	98	52	14	100	4 x 11	75	300	100	5.1
<b>H632R</b>	32	180	119	56	16	120	4 x 14	90	300	100	7.0
<b>H640R</b>	40	200	124	64	16	130	4 x 14	100	310	100	9.3
<b>H650R</b>	50	230	124	64	16	140	4 x 14	110	310	100	11
<b>H664R</b>	65	290	144	100	16	160	4 x 14	130	350	100	18
<b>H679R</b>	80	310	158	110	18	190	4 x 18	150	360	100	24
<b>H6100R</b>	100	350	178	125	18	210	4 x 18	170	475	120	31

**Further documentation**

- The complete product range for water applications
- Data sheets for globe valve actuators
- Installation instructions for valves and/or globe valve actuators
- Notes for project planning 2-way and 3-way globe valves